

# POS



## PA-3522

The One-of-a-kind Highly Integrated Fanless 15" POS Terminal

### Features and Benefits:

- Intel® Celeron® J1900 CPU
- 15" LCD display with touchscreen
- Flexible design for versatile applications
- Optional 2"/ 3" thermal printer
- Optional MSR, i-Button & fingerprint module
- Small footprint & Streamline design



### Protech Systems Co., Ltd.

No. 24, Lane 365, Yang Goang Street, Nei Hu District Taipei 114, Taiwan  
TEL: +886-2-8751-1111 FAX: +886-2-8751-1199  
E-mail: sales@protech.com.tw  
<http://www.protech.com.tw>

### Protech Technologies Inc.

950 Fee Ana St, Suite B Placentia, CA 92870  
TEL: +1-714- 996-7200 FAX: +1-714- 996-7300  
Sales: sales@protech-usa.net  
<http://www.protech-usa.net>

### Protech Japan Co., Ltd.

OSK Bldg, 6F, 6-25-14, Minami-ohi Shinagawa-ku, Tokyo, 140-0013  
TEL: +81-3-5753-8411 FAX: +81-3-3763-9282  
E-mail: sam@protech-j.com  
<http://www.protech-j.com>



MSR. i-Button



Fingerprint

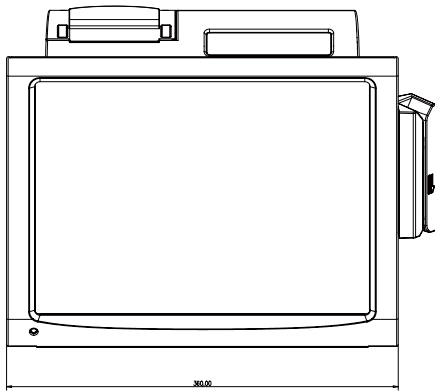
ISO CERTIFIED

9001 14001

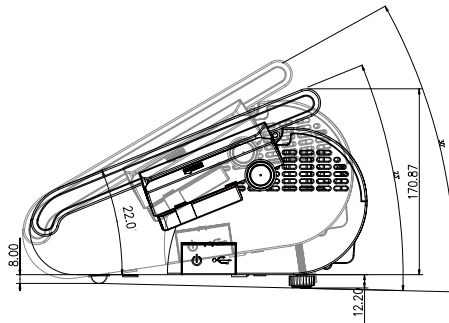
# PA-3522

## The One-of-a-kind Highly Integrated Fanless 15" POS Terminal

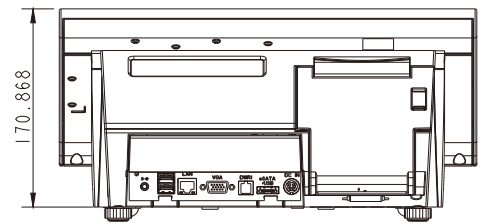
### Top View



### Side View



### Rear View



Unit: mm

### Specification

#### System

<b>CPU Support</b>	Intel® Celeron® J1900
<b>Memory</b>	So-DDR3L slot x 1 (up to 8GB)
<b>Network</b>	10/100/1000 Base-T Fast Ethernet
<b>Power Supply</b>	72~120Watt power adaptor
<b>Audio</b>	2W speaker
<b>System Weight</b>	with power adaptor approx. 6kg
<b>Dimension</b>	356mm x 309mm x 167mm
<b>O.S. Support</b>	WIN8 /POSReady7

#### Storage

<b>SATA</b>	1 x 2.5" HDD or SSD
<b>mSATA</b>	1 x SSD

#### I/O Ports

<b>USB</b>	4 x USB on rear, 1 x USB on side bezel
<b>Serial Ports</b>	3 x DB-9 (+5V/ 12V selectable)
<b>eSATA &amp; USB</b>	1 x eSATA & USB
<b>LAN</b>	1 x RJ45
<b>VGA</b>	1 x DB-15
<b>Cash Drawer</b>	1 x RJ11 (+12V or +24V selectable)
<b>Optional</b>	1 x DB9 COM or 1 x DB-25 Printer Port

#### Optional

<b>Customer Display</b>	VFD, 20 columns and 2 lines, each column is 5 x 7 dots
-------------------------	--

<b>Printer</b>	2" or 3" easy loading thermal printer with Auto cutter
<b>MSR &amp; iButton</b>	ISO I,II,III; JIS I,II and support information key
<b>2<sup>nd</sup> Display</b>	8" LCD Panel
<b>Fingerprint</b>	8-bit grayscale, reader

#### Display

<b>LCD</b>	15" TFT LCD
<b>Max. Resolution</b>	1024 x 768
<b>Brightness</b>	250 cd/m <sup>2</sup>
<b>Touch Screen</b>	5-wire Analog resistive

#### Environment

<b>EMC &amp; Safety</b>	CE / FCC
<b>Operating Temp.</b>	0 ~ 35° C
<b>Storage Temp.</b>	-20 ~ 60° C
<b>Humidity</b>	20 ~ 90%

#### Ordering Information

<b>PA-3522RA-A0B</b>	15" POS ,1024x768 LCD Panel / with Resistance TouchScreen/Black
<b>PA-3122RZ-21A</b>	DDR3L 2GB memory /2.5" HDD
<b>PA-3122RZ-51B</b>	VFD, RS232 interface
<b>PA-3122RZ-42B</b>	Embedded 3" Printer, USB Interface
<b>PA-3151RZ-51B</b>	Vertical PS2 MSR
<b>52-002-02012001</b>	120 Watt Power Adaptor

All of trademarks and brand names are the property of their owners. Trademark "Protech" is the property of Protech Systems Co., Ltd. All information contained in this document is subject to change without any prior notice. This catalog is copyrighted in Feb. 2014.